

SITMATIC 1969

Italian Space

BOSS



Art. 8037

Backrest

High or low upholstered backrest, height adjustable while sitting, non-deformable polyurethane foam with multilayer wood insert and high-resistance back insert.

Armrests

Polyurethane armrests with chromed metal insert. Version without armrests available.

Seating

Upholstered seat, non-deformable polyurethane foam with multilayer wood insert and under plastic covering.

Mechanism

Synchron: Suitable for the weight of any user thank to the adjustable tension system. Adjustable seat and backrest while seating. Adjustment of seat and backrest tilt synchronized in 4 positions complete with anti-shock system. This mechanism guarantees the movement of the spinal column, allowing the user free floating motion.

Swivel (only low backrest model): The function of the seat is only reduced to that one expressed, adjustable also in height while seating. It is suitable for not prolonged seating or for all the occasions where it is not indispensable having a customised station for the user.

Gas Lift

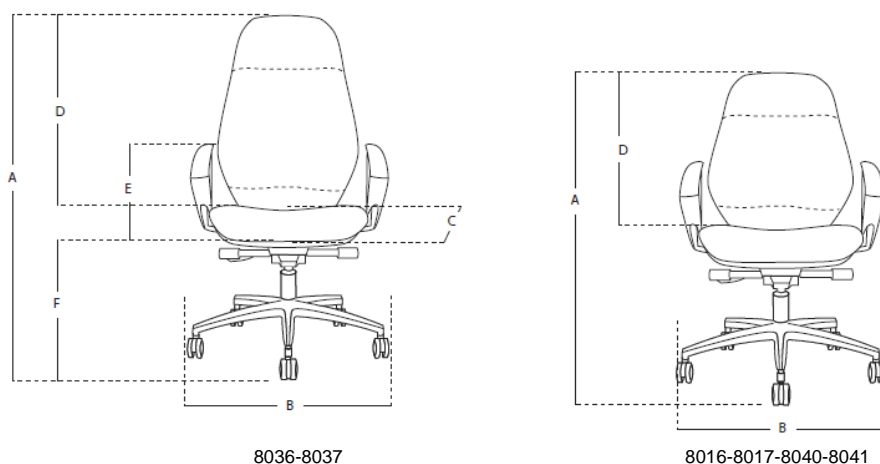
Height adjustable seating with gas lift.

Base

Polished aluminium base with safety metal ring, Ø 65mm soft self-braking casters.

CODE	OPTIONALS	AVAILABLE UPHOLSTERY
8	Height, width, depth, angulation 4D adjustable soft polyurethane armrests	<p>Category 2 Eco Ignifugo</p> <p>Category 3 Similpelle, Nova, Mirage</p> <p>Category 5 Lanee Melange</p> <p>Category 6 Revive 1, Revive 2, Vivo, Floyd</p> <p>Category 7 Leather Prescott</p> <p>Category 7+ Leather Linea, Leather Tuscania</p> <p><i>The upholstery specifications are listed in the colour charts.</i></p>
07	Glides	
SS	Sliding seat	

MEASURES and CONFIGURATIONS



8036-8037

8016-8017-8040-8041

BOSS	altezza A	larghezza B	profondità C	altezza schienale D	altezza braccioli E	altezza seduta F	peso P	volume V
DIREZIONALI								
8036	1120 - 1300	660	660	680 - 740	-	440 - 550	22,00	0,35
8037	1120 - 1300	660	660	680 - 740	240	440 - 550	23,00	0,35
8016	1000 - 1180	660	660	560 - 640	-	440 - 550	17,00	0,35
8017	1000 - 1180	660	660	560 - 640	240	440 - 550	22,00	0,35
8040	905 - 1000	660	630	470	-	410 - 505	12,50	0,29
8041	905 - 1000	640	630	470	240	410 - 505	15,10	0,35

USE & MAINTENANCE

To maintain unaltered over time the characteristics of the materials our products are made with, you must keep some simple attentions.

FABRICS

To maintain the good appearance of the upholstery, vacuum occasionally with the nozzle or with soft brush. To remove stains, use an appropriate spray cleaner following the instructions on the label.

LEATHERETTE

Clean with damp cloth, add some mild soap if needed. Rinse well with clean water. Do not use solvent, bleaches, synthetic detergents, polishes or aerosol spray.

LEATHER

Keep leather clean every six months with a soft wool tatter soaked in water. Do not soak for too long the leather. In case of water-based stains (coffee, the, juices, soft drinks) tap on the concerned area with an absorbent cloth and clean with a damp cloth. Use only appropriate high-quality products for the leather cleaning, following the instructions on the label. In case of doubts, test the product on a hidden part to check the effects, waiting 24 hours at least to verify the results.

PLASTIC COMPONENTS

Keep plastic components clean with a soft tatter soaked in water. The use of dry cloths is not recommended because they could, by the rubbing, build-up of an electrostatic charge on the plastic surface attracting more dust. Absolutely avoid using abrasives as powder detergents, pastes, metal sponges and sharp scrapers. To remove stubborn stains, dilute some mild soap with moderation in water. Prevent from the use of turpentine, acetone and ammonia or detergents containing small parts of these components because they can matt the surfaces.

WOOD PARTS

In case of soiling with liquids or other residues, immediately remove to avoid the absorbing.

METAL PARTS

Clean with a soft cloth soaked in hot water both aluminium, iron and painted surfaces. To remove stubborn stains, dilute some mild soap with moderation in water. After the cleaning, always dry with a soft tatter or chamois leather. Absolutely avoid using abrasives pastas to clean the steel, do not use chlorine or bleach and other aggressive cleaners. The use of abrasives as powder detergents, pastes, metal sponges and sharp scrapers is not recommended.

USE This seat must be exclusively used following the information provided by its producer in order to avoid any improper use. The inappropriate employ can be seriously dangerous.

Sitmatic Italia reserves the right to make modifications and technical or aesthetic improvements to the products at any time without prior announcement, as long as this does not change the price and does not affect the quality of the product. For further information, please visit www.sitmaticitalia.eu